

---

# Smart ECO Equipment Package

**3 Speed Pump (H83SP)**

**Cartridge Filter 100 (HCF100)**

**Smart Chlorinator 15 (HSMARTCHLOR15)**



**Henden Equipment Package**

## 3 Speed Pump

The pump with 3 speed control for maximum performance. Saves up to 70% of running costs compared to a single speed pump. Specifically designed to circulate swimming pool water for filtration, heating and sanitising applications. Suitable for pools up to 90,000 litres.

- > **3 speed variable control with fully programmable speed options for maximum performance and efficiency**
- > **See through lid for visibility and easy maintenance**
- > **Extra large leaf basket for longer intervals between cleaning**
- > **Advanced technology brushless DC motor for longer pump life**
- > **Auto reset thermal protection to prevent over heating of the motor**
- > **Strong corrosion resistant, UV stabilised materials**
- > **40/50mm ABS quick coupling barrel unions for easy connection and installation**



## Features

- > **3 Speed Control**  
Switch between Eco Flow (lowest speed) for pool filtration, Mid Flow for pool cleaning and High Flow for all other pool sanitisation and heating applications
- > **Programmable Intelligence**  
Fully programmable speed options by adjusting the RPM of the motor from the factory pre-sets for Eco, Mid and High Flow speeds. This maximises your pool efficiency, use and performance.
- > **Energy Efficient**  
Lower emissions, power usage and energy costs compared to single speed pumps
- > **Lower Noise Levels**  
Quiet at only 60.5dB, allowing you to run your pump at any time of day or night
- > **4 Year Guarantee**  
Peace of mind from an Australian owned, designed and engineered pool pump



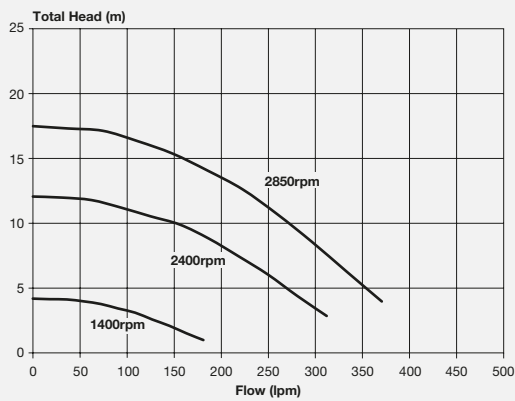
### Electrical Data

<b>Model</b>	H83SP
<b>RPM</b>	Eco Flow Speed – 1400
	Mid Flow Speed – 2400
	High Flow Speed – 2850
<b>Enclosure Class (IP)</b>	24
<b>Insulation Class</b>	Class B130 Insulation
<b>Voltage (V)</b>	220-240
<b>Supply Frequency (Hz)</b>	50
<b>Run Current (A)</b>	6.3
<b>Motor Input Power (W)</b>	Eco Flow - 168W
	Mid Flow – 679W
	High Flow – 1125W
<b>Motor Output Power (W / hp)</b>	Eco Flow - 127W / 0.2 hp
	Mid Flow – 521W / 0.7 hp
	High Flow – 853W / 1.1 hp

### Operating Limits

<b>Maximum water temperature</b>	50°C
<b>Maximum ambient temperature</b>	55°C

### Hydraulic Performance

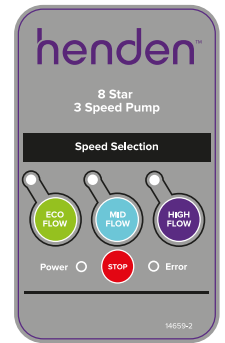


### Low Energy Operation:

3 speed settings which are also fully programmable:

1. **Eco Flow – Lowest Speed**
2. **Mid Flow – Medium Speed**
3. **High Flow – Highest Speed**

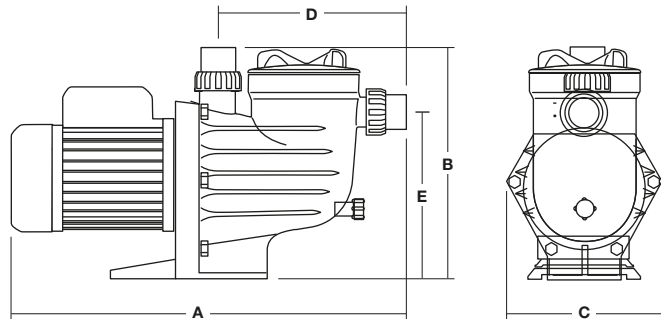
Eco Flow mode provides the lowest speed and the greatest energy savings.



Operation	Recommended Speed Setting
Pool filtration	Eco Flow
Automatic pool cleaner operation	Mid Flow
Backwashing your media filter	High Flow
Manually cleaning your pool	
Water feature operation	
Spa jet operation	
Solar pool heating	

### Dimensions (mm)

A	B	C	D	E	Mounting Holes Dia.	Inlet PVC	Outlet PVC	Net Weight (Kg)
645	330	250	305	246	10	40/50	40/50	15.9



# Cartridge Filter

This high performance cartridge filter has been specifically designed for the water-conscious filtration in all salt, mineral salt and fresh water pools. For sparkling pools up to 90,000 litres.

- > **Automatic air bleed to purge trapped air during filtration**
- > **Durable polyurethane end caps reinforced to support pleats and protect the element**
- > **20-50 micron rating filtration for high water quality**
- > **High quality Du Pont polyester mesh for clog free, long life**
- > **Large spaces between pleats for easy cleaning and long filtration cycles**
- > **ABS tank construction is robust, UV resistant and non-corrosive for long life**
- > **ABS barrel unions for simple installation**



## Features

- > The filter lid is retained by a lock ring which enables easy access for element cleaning
- > Low profile design means elements are easier to lift out for cleaning and require less height for installation
- > The element is constructed of Du Pont Reemay which is recognised for its excellent filtration and long life
- > A quality pressure gauge makes it easy to see when element cleaning is required
- > A manual air bleed enables the filter to be de-pressurised before opening for cleaning
- > A choice of two inlet ports enables the inlet plumbing to be installed at either 90° or 180° to the outlet for greater flexibility in installation
- > Less water used, no backwashing needed
- > Perfect for use with energy efficient pool pumps
- > Replacement filter elements available
- > 10 year warranty



### Performance Data & Media Required

Model	Filtration Area (m <sup>2</sup> )	Filtration Area (ft <sup>2</sup> )	Maximum Flow Rate (lpm)	6 Hour Turnover* (litres)	8 Hour Turnover** (litres)
HCF100	9.29	100	400	144,000	192,000
HCF150	13.93	150	450	162,000	216,000

### Operating Limits

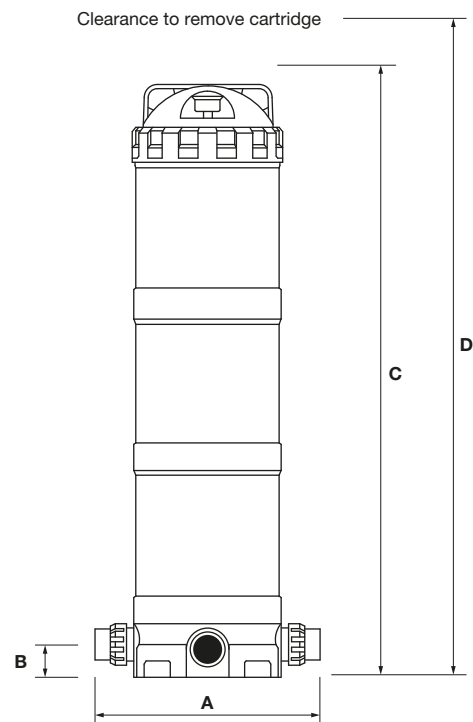
Maximum water temperature	50°C
Maximum operating pressure	280kPa

### Replacement Filter

Model	Replacement Filter P/N
HCF100	Q2312HSP
HCF150	Q2313HSP

### Dimensions (mm)

Model	A	B	C	D	Inlet PVC	Outlet PVC
HCF100	330	60	635	1000	40/50	40/50
HCF150			820	1360		



## Important notes

\* Figure based on 6 hour turnover @12.5m head.

\*\* Figure based on 8 hour turnover @12.5m head.





# Smart Chlorinator



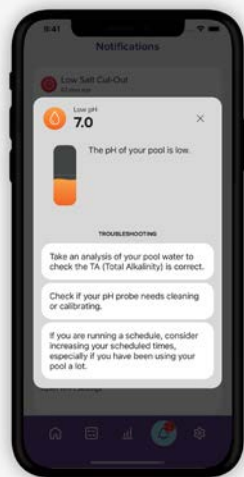
Combining all the great features of the Henden Salt and Mineral Chlorinator with the innovative Henden Water Quality Hub, this intelligent unit allows you to test, monitor and maintain the quality of the pool's water. The Henden Smart Chlorinator is the complete system to manage your pool's health on the go.

- > Full digital LCD display screen for easy operation
- > Strong and durable enclosure made with corrosion resistant, UV stabilised materials
- > Plug and play system for easy installation
- > Integrated safety flow switch to protect against gas generation when no flow is detected
- > High performance reverse polarity electrolytic cell
- > One plug cell power connection for quick and simple installation and maintenance
- > 40/50mm barrel unions for low maintenance and easy connection



## Features

- > **Wi-Fi Connectivity**  
With a fully integrated app for remote monitoring and control directly from your iOS or Android smartphone
- > **App Functions**  
Receive notifications on the status of the unit and condition of the pool's water  
Switch between modes and set timers  
Troubleshoot chemistry issues with simple recommendations  
Control your Henden Heat Pump and Henden 400 VSD Pump



- > **pH Probe**  
Monitors and maintains pH by controlling acid dosing, to achieve chosen set-point
- > **ORP Probe**  
Monitors and maintains ORP by controlling cell output, to achieve chosen set-point
- > **Salt/Temperature Probe**  
Reports and sends alerts on the salt and temperature level of the pool's water
- > **Probe Housing**  
Includes a unique manifold to house the probes, with an injection point for acid  
Eliminates unnecessary pipework for quick and easy installation  
Ensures accurate probe readings
- > **Acid dosing pump included**  
Allows you to maintain pH by controlling the dosage of diluted acid



Sanitiser Output					
Model	Chlorine Gas Production (g/hr 100%)	Calcium Hypochlorite (g/hr 65% equivalent)	Maximum Pool Size (Litres)		
			Cool Climates <25°C	Temperate Climates 25°C to 30°C	Tropical Climates >30°C
HSMARTCHLOR15	15	23	60,000	45,000	30,000
HSMARTCHLOR15	25	38	110,000	80,000	55,000
HSMARTCHLOR15	35	53	160,000	110,000	80,000

Dimensions												
Salt and Mineral Chlorinator				Water Quality Hub				Cell Housing				
Height (mm)	Width (mm)	Depth (mm)	Mounting holes (mm)	Height (mm)	Width (mm)	Depth (mm)	Mounting holes (mm)	Height (mm)	Width (mm)	Diameter	Inlet	Outlet
320	240	113	164	153	240	97	164	239	390	119	50	50

Electrical Data All Models	
Voltage (V)	220-240
Phase	1
Supply Frequency (Hz)	50/60
Enclosure Class (IP)	34
Approval No.	GMA-504803-EA

Warranty	
Component	Coverage
Control Unit	4 years
Power Supply	4 years
Electrolytic Cell	3 years
Acid Dosing Pump	12 months
Probes	6 months

## Important notes

### > Modes for every application

Includes Spa, Cover, Boost and Winter modes as featured in the Salt and Mineral Chlorinator

Adds Backwash, Maintenance and Service modes to ensure safety when backwashing a media filter and carrying out maintenance or service in the pool equipment area

### > Controls your Henden Heat Pump

When connected via RJ45, controls the temperature to maintain chosen set-point and on/off function

### > Controls your Henden 400 VSD Pump

When connected via RJ45, controls speed, preferences, backwash and on/off function

In 'hard water' applications (above 275ppm), reverse polarity systems will require regular (monthly) inspection and manual cleaning.

If using mineral salts in areas with hard water, reverse polarity systems may require occasional manual cleaning. Mineral salts can form scale on the cell that isn't removed through the polarity reversal process, therefore more frequent manual cleaning may be required. In some cases this scale is soft enough to remove with a strong jet of water if acid cleaning proves ineffective.

The appropriate chlorinator size for your pool is dependent on the local climate and the bather load of the pool. Please note that chlorinator cell life can be increased with shorter running times during winter and lower output settings. Please note, chlorinator sizing is a guide only. The Chlorinator model for any given pool size (litres), is based on an average 8 hours run time.



Control unit warranty